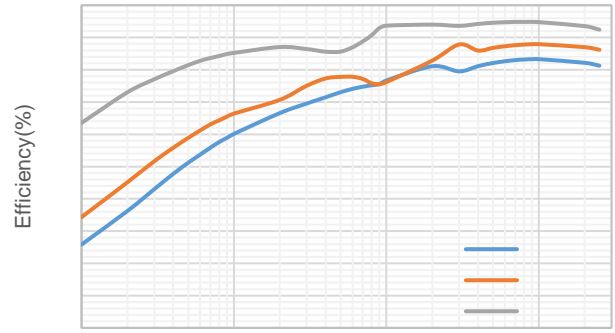
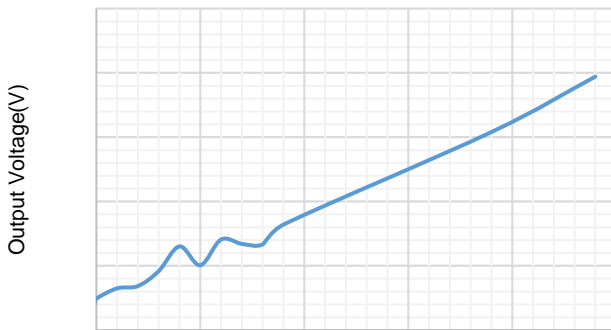


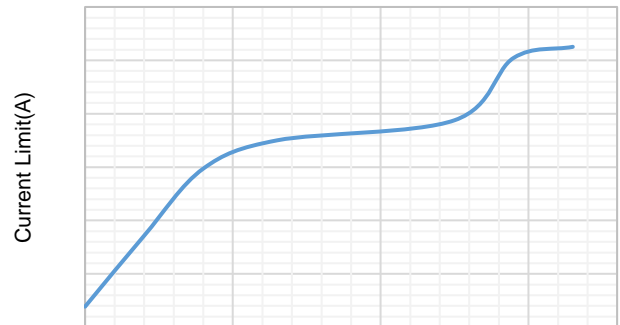
Output Current(A)



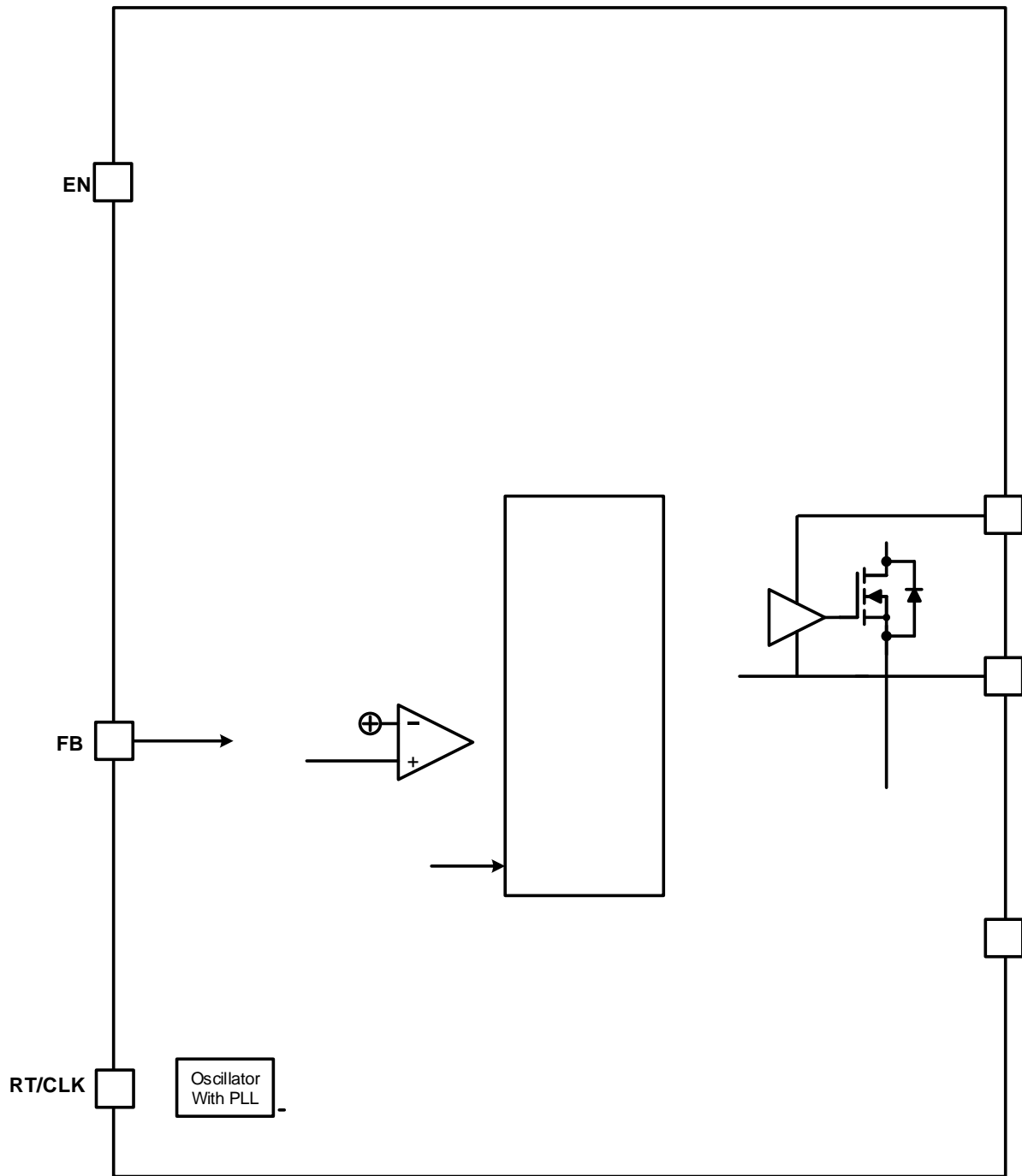
Output Current(A)



Output Current(A)



Temperature(°C)



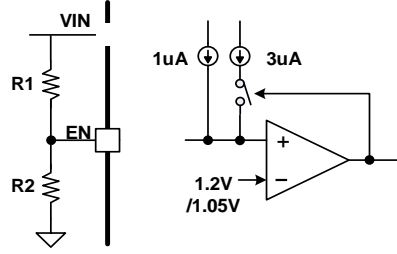
Overview

Peak Current Mode Control

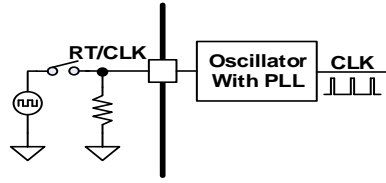


-
-

Output Voltage



±



Bootstrap Voltage Regulator and Low Drop-out Operation





—

•







-
-
-
-
-
-



-



—

— —

— —

-
-
-





